

## New Epson Return cartridges

Our new Return cartridges achieve the lowest cost per page in exchange for customer agreeing to return their empty cartridges to Epson, helping us to meet our recycling goals.

There are four types of toner cartridges available giving customers the widest choice from low purchase price cartridges to high yield lowest cost per page cartridges.

The table below shows the cost per page savings comparison using the Standard capacity toner cartridge as the benchmark.

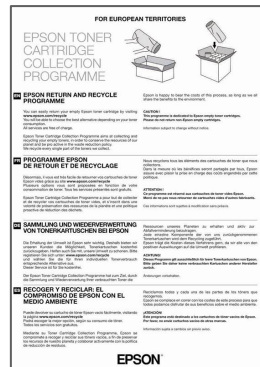
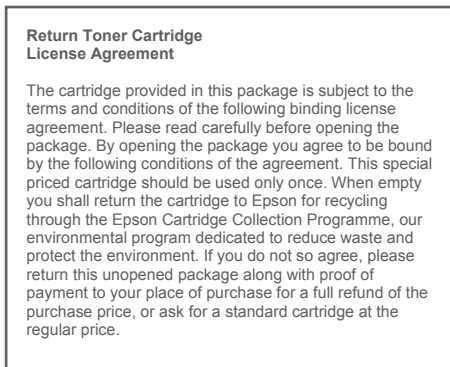
order code	description	page yield (ISO19752)	cost per page comparison*
C13S050436	Black Standard capacity toner cartridge	3500 pages	100%
C13S050438	<b>Return</b> Black Standard capacity toner cartridge	3500 pages	80%
C13S050435	Black High capacity toner cartridge	8000 pages	66%
C13S050437	<b>Return</b> Black High capacity toner cartridge	8000 pages	53%

\* based on RRP ex.VAT

Return cartridges are identical to non return cartridges except for the licence agreement on the box.

The page yield, quality and warranty are identical.

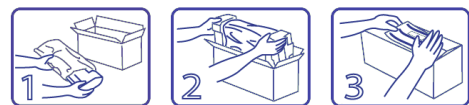
Return toner cartridges include a legally binding licence agreement on the package. Information on return methods are included on a sheet inside the package. The quality of a return toner cartridge is identical to that of our standard cartridges.



Customers can return any genuine Epson laser printer toner cartridge for recycling using either of the following methods below, not just the Return cartridges.

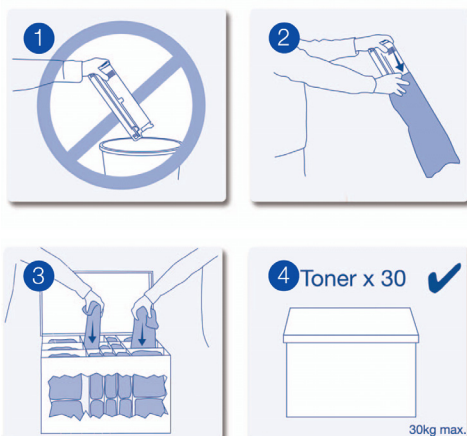
### Return method one (postal return)

- customer purchases new toner cartridge
- puts old cartridge in the packaging of the new cartridge
- uses our web site to print a postal return label and sticks label on packaging
- puts the package in their internal post bag or takes it to their local post office



We do not charge for this service and we pay the postage.

### Return method two (Epson collects)



- customer registers on our web site for the Epson toner collection program
- after registration the customer receives a user name and password for the Epson toner collection web portal
- customers can use the portal to order toner collection boxes or to request box collections.
- each box can store up to 30 empty toner cartridges
- when full, the customer can order collection and a new box online

We do not charge for this service.



Epson recycles all Epson toners received 100%